

# Sliding steel door dw 72-1/2 ME

Double-skinned, optionally with wicket door

Not suitable for outdoor use or areas subject to high humidity



## Text example

Compile and tender according to requirements.

Please refer to technical data below for respective details.

Updated 1<sup>st</sup> June 2015

Position	No. of pieces	Item	Unit price €	Total price €
		Sliding steel door "dw 72-1 ME", double-skinned. PUR foam core. Single-leaf door, opening to the left. Galvanized door leaf, 72 mm thick (element design). With 3-sided door seal, galvanized. Door suspension consisting of tubular guide rail with double twin running gears. "Teckentrup dw 72 ME" or equivalent.		
		Ordering dimensions: modular dimensions: _____mm wide and _____mm high. Ordering details: wall and header thickness (concrete _____mm/masonry _____mm). Door left/right opening (seen from the fixing side of the door). Headroom _____mm (min. 210 mm). Left-hand space _____mm (clear width + 290 mm [slide-back area]), right-hand space _____mm (min. 120 mm). With/without wicket door		

## Technical data

Also available in  
**STAINLESS STEEL**

**Product:** dw 72-1 ME sliding steel door

**Installation in:**

- walls made of:
- Masonry
  - Concrete
  - Autoclaved aerated concrete
  - Steel construction

**Dimensions:**

modular dimensions  
width: 1000 - 8500 mm  
height: 2000 - 6000 mm

**Opening direction:**

opens to the right or left

**Door leaf:**

door leaf consisting of individual elements (number of elements according to the opening width) double-skinned.  
Door leaf thickness: 72 mm  
Reinforcement: U-shaped and rectangular profiles  
Insulation: Mineral wool  
Sheet thickness: 1 mm  
Special equipment: double-leaf

**Door seal:**

galvanized seal profiles, 2 mm thick, on 3 sides, guide rollers (lower door guide)

**Surface:**

door leaf and seal galvanized and prime coated similar to RAL 9002 (Grey white)

**Fittings:**

- Tubular guide rails with height-adjustable double twin running gears on ball bearings
  - 2 end stoppers
  - 1 recessed handles
  - One push handle on the installation side
- Special equipment:  
profile cylinder 45.5 + 45.5 mm

**Wicket door:**

between two door leaf elements (with threshold)

- Door leaf: double-skinned, rebated on 3 sides  
reinforcement: U-shaped and flat steel.  
Insulation: PUR foam core  
Sheet thickness: 1 mm
- Door leaf thickness: 72 mm
- Fitting: 2 three-piece hinges.  
Mortice lock with lever/knob in acc. with DIN18250, prepared for profile cylinder.  
Special black handle set.  
Special equipment:  
profile cylinder 45 + 30 mm, panic lock

**Special equipment:**

- Counterweight with protective box
- Rain guard

**Attention:**

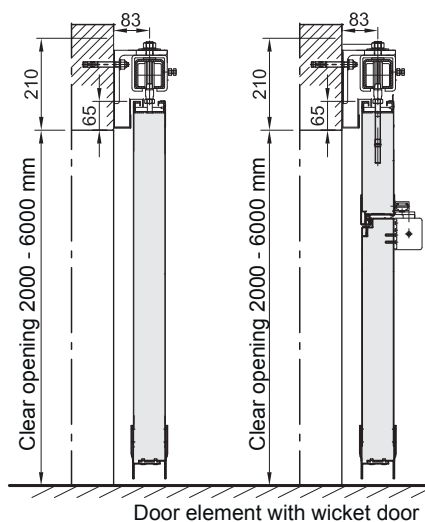
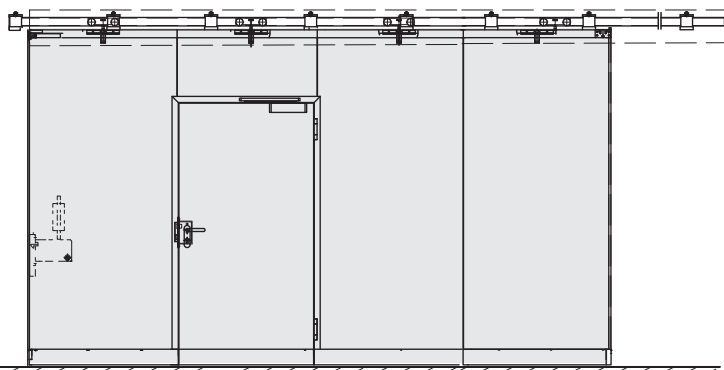
in their current design, dw72 sliding doors are not suitable for use in outdoor areas.

# Sliding steel door dw 72-1/2 ME

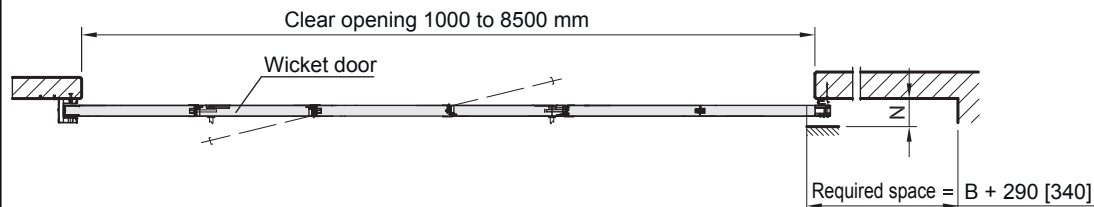
Double-skinned, optionally with wicket door

Not suitable for outdoor use or areas subject to high humidity

dw 72-1 ME (1 leaf)



Door element with wicket door



dw 72-2 ME (2 leaves)

